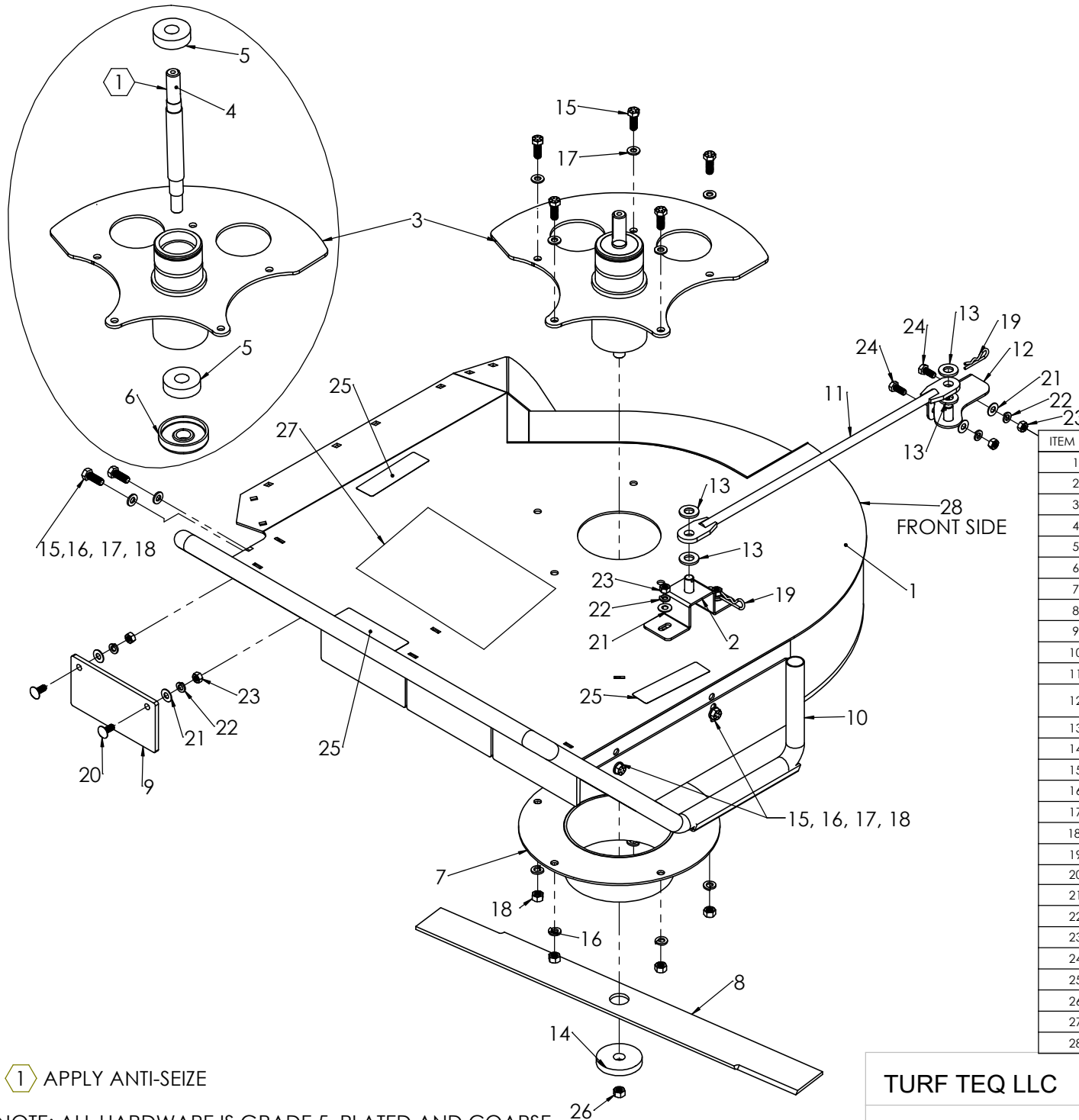




**BRUSH CUTTER  
ATTACHMENT  
PARTS CATALOG  
MODEL A1305C**

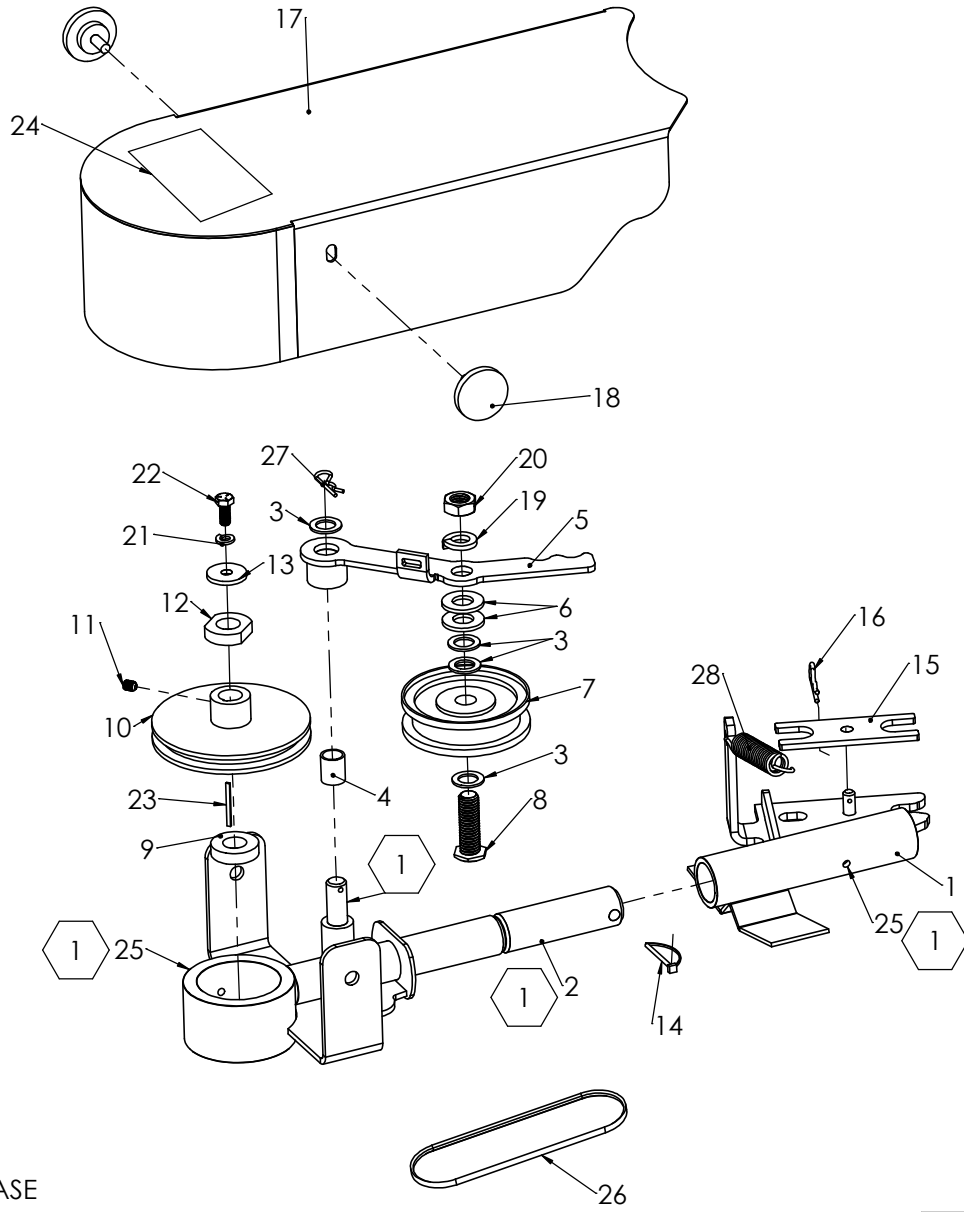
<u>Description</u>	<u>Page Number</u>
<b>Table of Contents</b>	2
<b>BRUSH CUTTER MOWER DECK A</b>	3
<b>BELT DRIVE SYSTEM A</b>	4



ITEM NO.	PART NUMBER	DESCRIPTION	QTY.
1	10-1360	MOWER DECK W.A.	1
2	10-1357	PIVOT LINK BRACKET W.A. - MOWER	1
3	10-1436	SPINDLE HOUSING ASSEMBLY	1
4	10-1317	SHAFT-BLADE	1
5	10-1319	BALL BEARING - 6304 ZZ	2
6	10-1318	BEARING COVER	1
7	10-1327	MOWER DEBRIS SHIELD W.A.	1
8	10-1320	BLADE-BRUSH CUTTER-STD	1
9	10-1361	MOWER DECK FLAP	4
10	10-1359	MOWER PUSH BAR W.A.	1
11	10-1330	MOWER SWIVEL LINK W.A.	1
12	10-1358	PIVOT LINK BRACKET W.A. - TRACTOR	1
13	10-1027	MACHINE WASHER 1/2 SAE	4
14	10-1322	BLADE WASHER	1
15	NSS	BOLT 3/8 X 1	9
16	NSS	LOCK WASHER 3/8	9
17	NSS	FLAT WASHER 3/8	9
18	NSS	NUT 3/8	9
19	10-1434	HAIR PIN - COTTER 1/8 X 1-3/4	2
20	NSS	CARRIAGE BOLT 5/16 X 3/4	8
21	NSS	FLAT WASHER 5/16	12
22	NSS	LOCK WASHER 5/16	12
23	NSS	NUT 5/16	12
24	NSS	BOLT 5/16 X 3/4	2
25	10-0438	DECAL - WARNING MOVING PARTS	3
26	NSS	NUT 5/8	1
27	10-1694	DECAL - TURF TEQ BRUSH CUTTER	1
28	10-1376	DECAL MADE IN USA	1

1 APPLY ANTI-SEIZE

NOTE: ALL HARDWARE IS GRADE 5, PLATED AND COARSE THREAD UNLESS OTHERWISE SPECIFIED



1 GREASE

ITEM NO.	PART NUMBER	DESCRIPTION	QTY.
1	10-1301	SWIVEL BRACKET	1
2	10-1304	MOWER PIVOT / SECTOR MOUNT W.A	1
3	10-1108	WASHER MACHINE 5/8	4
4	BR-0058	BRONZE BUSHING	1
5	10-1310	MOWER IDLER ARM W.A.	1
6	10-1224	WASHER 5/8 SAE	2
7	10-1702	FLAT IDLER PULLEY	1
8	10-1435	MACHINE BOLT 5/8 X 2	1
9	10-1495	SHEAVE BOTTOM SPACER	1
10	10-1323	BK-52 SHEAVE 3/4" BORE	1
11	10-1236	SET SCREW 5/16-18 X 3/8	1
12	10-1496	SHEAVE TOP SPACER	1
13	10-1494	SHEAVE CAP	1
14	10-1354	BRUSH CUTTER SNAP PIN	1
15	10-1378	SECTOR H PLATE	1
16	10-1434	HAIR PIN - COTTER 1/8 X 1-3/4	1
17	10-1333	MOWER BELT COVER W.A.	1
18	10-0618	SHIELD KNOB	2
19	NSS	LOCK WASHER 5/8	1
20	NSS	JAM NUT 5/8	1
21	NSS	LOCK WASHER 5/16	1
22	NSS	HEX BOLT 5/16 X 3/4	1
23	10-1437	KEY 3/16 X 1	1
24	10-1356	DECAL - "SIDE SHIFT"	1
25	10-0681	LUBE FITTING	2
26	10-1324	B-52 V-BELT	1
27	10-1316	COTTER PIN - MOWER IDLER ARM	1
28	10-1326	EXT. SPRING	1

TURF TEQ LLC	1305BC	9/5/2019
MODEL 1305BC	BELT DRIVE SYSTEM A	PAGE 4

NOTE: ALL HARDWARE IS GRADE5, PLATED AND COARSE THREAD UNLESS OTHERWISE SPECIFIED