



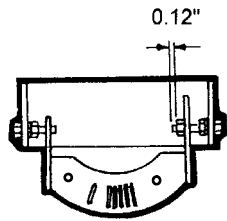
**MULTI USE TRACTOR  
PARTS CATALOG  
MODEL 1305**

**SERIAL NUMBER 00301 AND ABOVE**

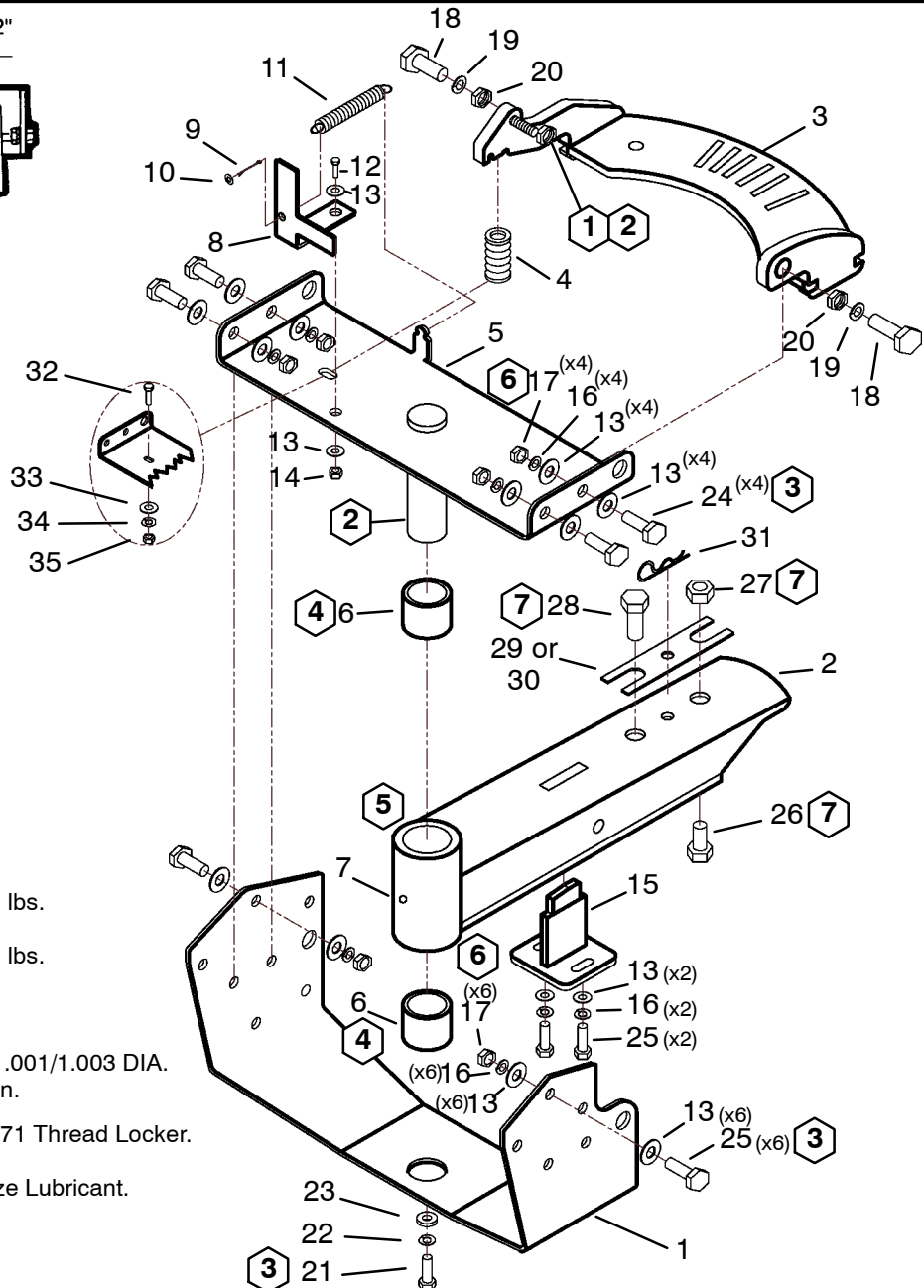
**Turf Teq LLC  
PC1305TR-01-1209**

# Contents

<u>Part Number</u>	<u>Description</u>	<u>Page Number</u>
10-0665 .....	Sector A .....	1
10-0667 .....	Engine A .....	2
10-0682 .....	Hydro Handle A .....	3
10-0935 .....	K62 Transmission A .....	4
10-0939 .....	Tractor Frame/Trans A .....	5
10-0940 .....	Tractor Controls A .....	6
	Tractor Only A .....	7
	Tractor with Diff-Loc A .....	8
K1305PB/10-0934 .....	Park Brake Kit A (Optional Equipment) .....	9
K1305WL/10-0936 .....	Wheel-Loc Kit A (Optional Equipment) .....	10
K1305DL/10-0937 .....	Differential-Loc Kit A (Optional Equipment) .....	11
K1305LK/10-0938 .....	Broom/Edger Lift Kit A .....	12



**TOP VIEW**

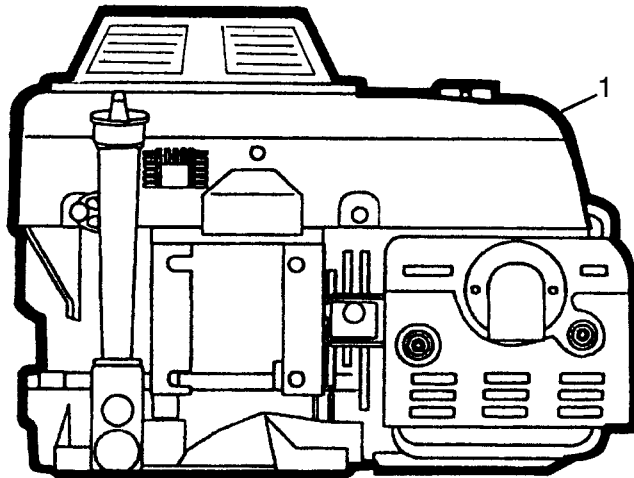


- 7** Torque to 83 ft. lbs.
- 6** Torque to 37 ft. lbs.
- 5** Grease.
- 4** Ream Out To 1.001/1.003 DIA. After Installation.
- 3** Apply Loctite 271 Thread Locker.
- 2** Apply Anti-Seize Lubricant.
- 1** Tap Threads.

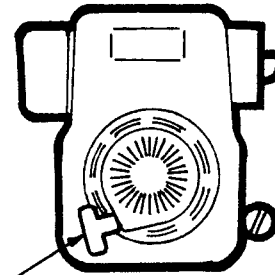
35	1	NSS	1/4 Nut
34	1	NSS	1/4 Lock Washer
33	1	NSS	1/4 Flat Washer
32	1	NSS	1/4 x 1/2 Hex Bolt
31	1	10-1434	Hair Pin - Cotter 1/8 x 1-3/4
30	1	10-1379	Sector Bolt H Plate for Broom
29	1	10-1378	Sector Bolt H Plate
28	1	10-1433	Bolt 1/2 (13) x 1-3/4 Smooth Flange
27	1	10-1432	Nut 1/2 (13) Smooth Flange
26	1	10-1431	Bolt 1/2 (13) x 1-1/2 Serrated Flange
25	8	NSS	5/16 x 1 Hex Bolt (GR.8)
24	4	NSS	5/16 x 3/4 Hex Bolt (GR.8)
23	1	BR-0132	Washer
22	1	NSS	3/8 Lock Washer
21	1	NSS	3/8 x 1 Hex Bolt
20	1	10-1204	1/2-13 Jam Nut
19	2	NSS	1/2 Lock Washer
18	2	10-1205	1/2-13 x 2 Tap Bolt
17	10	NSS	5/16 Nut
16	14	NSS	5/16 Lock Washer
15	1	10-1410	Gunsight
14	1	10-1225	5/16-18 Lock Nut
13	24	10-1214	5/16 SAE Washer
12	1	NSS	5/16 x 3/4 Hex Bolt
11	1	10-1297	Extension Spring
10	1	NSS	Washer #10
9	1	10-1223	1/8 x 3/4 Cotter Pin
8	1	10-1266	Belt Support
7	1	10-0681	Lub Fitting 1/4
6	2	10-0104	Bronze Bushing (Pivot)
5	1	10-0216	Attachment Pin W/A
4	1	10-0450	Compression Spring
3	1	10-0554	Sector W/A
2	1	10-0108	Attachment Pivot Arm W/A
1	1	10-0217	Doubler W/A
<i>Item</i>	<i>Qty.</i>	<i>Part #</i>	<i>Description</i>

**Note:** All hardware is Grade 5, plated and course thread unless otherwise specified.

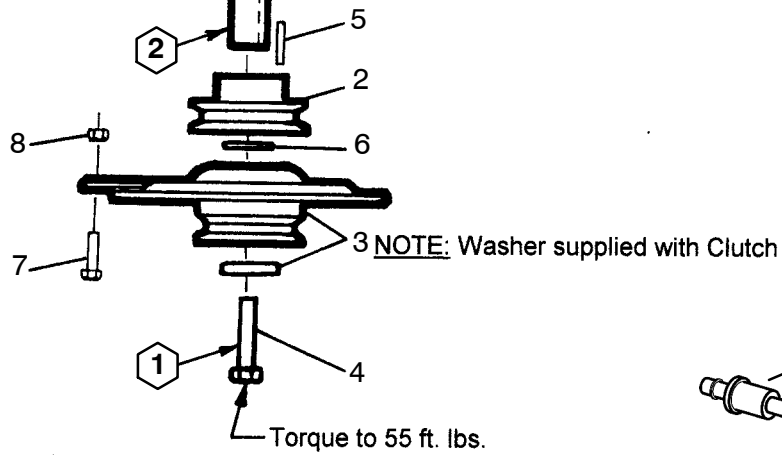
Revisions	12/09 JRD	MODEL 1305	TURF TEQ LLC	Date: 12-09
			Sector A	10-0665



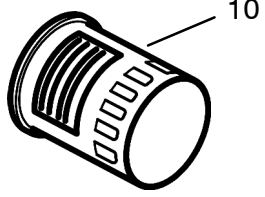
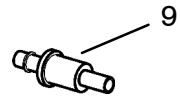
**TOP VIEW**



Recoil to be position at this location



Torque to 55 ft. lbs.



- 2 Apply Anti-Seize Lubricant.
- 1 Apply Loctite 271 Threadlocker.

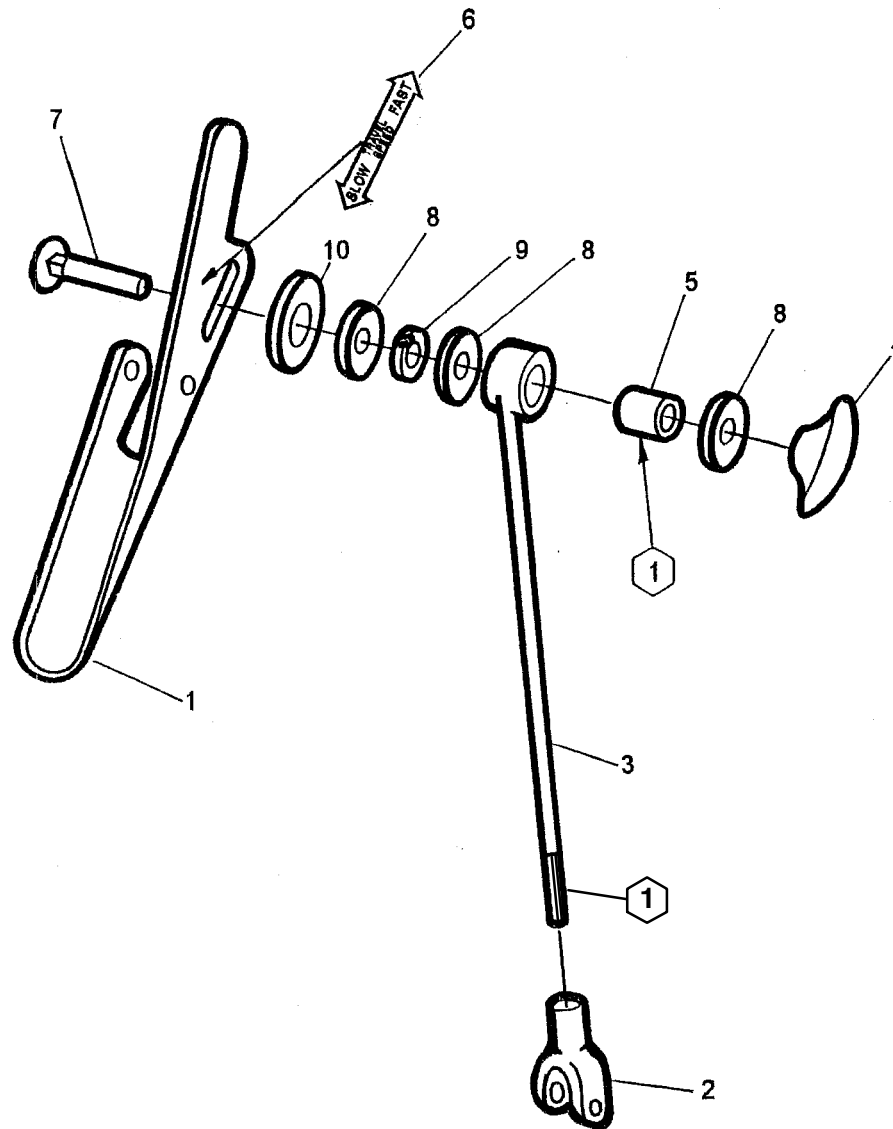
10	1	10-1274	Engine Oil Filter (Honda)
9	1	10-1175	Fuel Filter (Honda)
8	1	NSS	Nut 5/16
7	1	NSS	Hex Bolt 5/16 x 1.0
6	1	10-1110	Washer 1" Machine 1.03 x 1.5 x .07
5	1	10-1121	Keyway 1/4 x .75
4	1	10-1206	Bolt 7/16-20 x 2-1/2 Grade 8
3	1	10-0036	Noram Clutch
2	1	10-0112	Sheave 3" dia.
1	1	10-0394	Honda Engine GXV390DA23
<i>Item</i>	<i>Qty.</i>	<i>Part #</i>	<i>Description</i>

**Note:** All hardware is Grade 5, plated and course thread unless otherwise specified.

**TURF TEQ LLC**

Date: 12-09

Revisions	12/09 JRD	MODEL 1305	Engine A	10-0667
-----------	-----------	------------	----------	---------



① Apply Anti-Seize Lubricant.

**Note:** All hardware is Grade 5, plated and course thread unless otherwise specified.

10	1	10-1107	Washer 1/2 USS 9/16 x 1-3/8 x .10
9	1	NSS	Lock Washer 3/8
8	3	10-1105	Washer 5/16 USS 3/8 x 7/8 x .07
7	1	NSS	Carr. Bolt 3/8 x 2
6	1	10-0447	Decal - Travel Speed
5	1	10-0619	Spacer
4	1	10-0664	T-Knob
3	1	10-0881	Rod WA
2	1	10-0449	Yoke End
1	1	10-0254	Handle
<i>Item</i>	<i>Qty.</i>	<i>Part #</i>	<i>Description</i>

**TURF TEQ LLC**

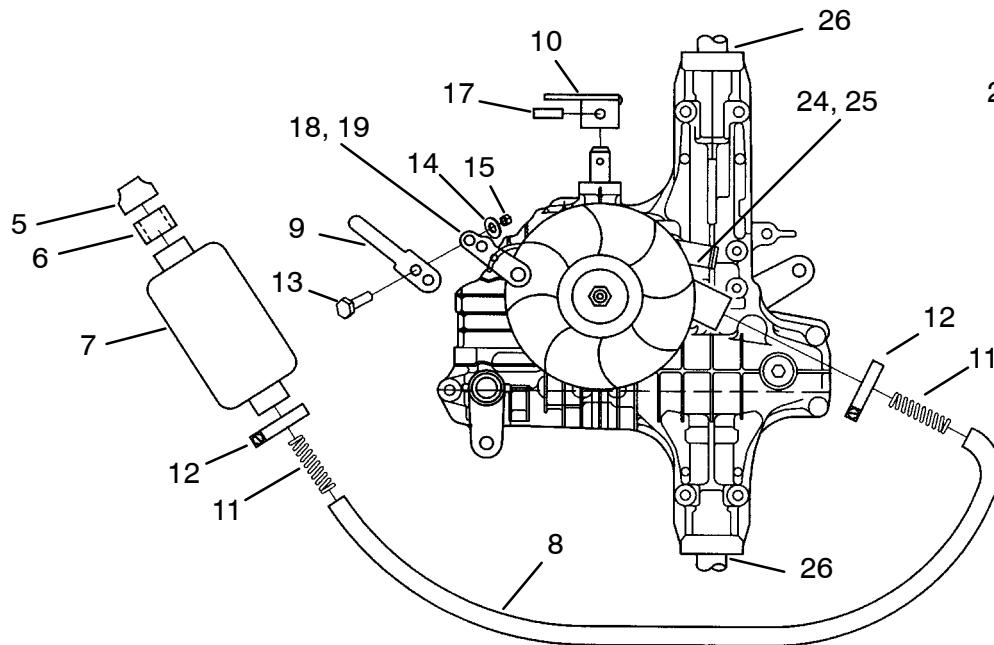
Date: 08-07

Revisions 8/07 JRD

MODEL 1305

Hydro Handle A

**10-0682**



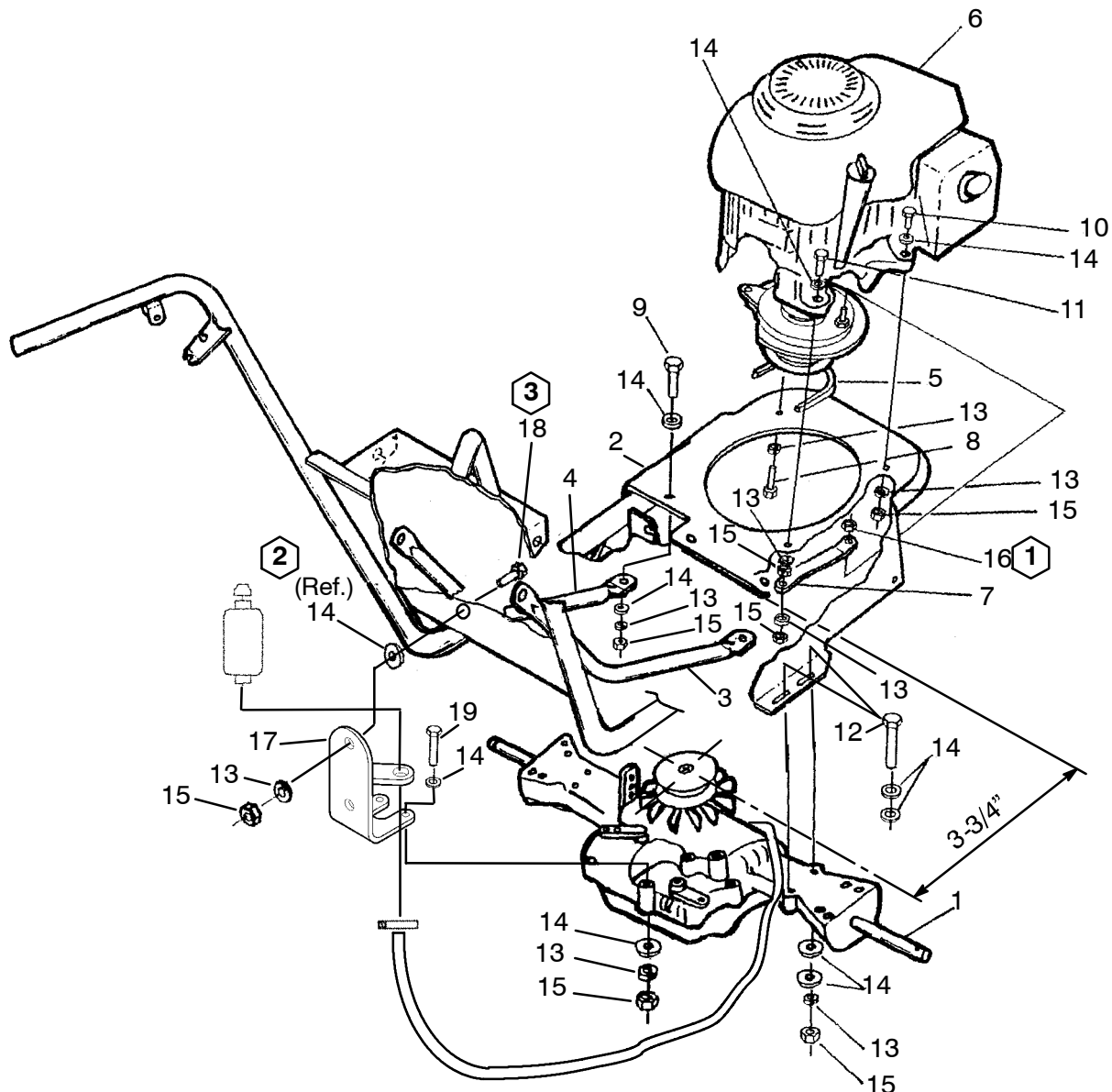
32	2	NSS	Bolt 5/16 x 3/4
31	2	NSS	Lock Washer 5/16
30	2	10-1214	Washer 5/16 SAE
29	1	10-1426	Trans. Skid Plate
28	1	10-1419	K62 Transmission Seal Kit
27	1	10-1418	K62 Transmission Lower Case
26	2	10-1414	Axle Seal - Model 1305 - K62 (1")
25	1	10-1256	Oil Inlet O-Ring
24	1	10-1255	Oil Inlet
23	2	10-1254	O-Ring - 2
22	1	10-1253	Differential Lock Lever
21	1	10-1252	O-Ring
20	1	10-1251	Drain Plug
19	1	10-1247	Hydro Release Spring Lock Retaing Pin
18	1	10-1245	Hydro Release Lever
17	1	10-1119	Metric Spring Pin 6m x 34m
16	1	10-1216	Lock Nut M10 x 1.5
15	1	NSS	Nut 1/4
14	1	NSS	Lock Washer 1/4
13	1	NSS	Hex Bolt 1/4 x 3/4
12	2	10-0859	Worm Gear Clamp - 3/4" Wide
11	2	10-1037	Spring 3/4 dia. x 5.62
10	1	10-0755	Trans Arm W/A
9	1	10-0824	Tow Valve Arm W/A
8	1	10-1038	Rubber Hose 1.06 x 19
7	1	10-0838	Reservoir Tank - 400 CC
6	1	10-0842	Reservoir Filter
5	1	10-0841	Reservoir Cap
4	1	BR-0132	Washer .4 x 1.5 x .40
3	1	10-0840	Pully - 3.125 dia
2	1	10-0839	Fan - 7"
1	1	10-0899	K62 Transmission

Item	Qty.	Part #	Description
------	------	--------	-------------

<b>TURF TEQ LLC</b>			Date: 12-09
---------------------	--	--	-------------

**Note:** All hardware is Grade 5, plated and course thread unless otherwise specified.

Revisions	12/09 JRD	MODEL 1305	K62 Transmission A	10-0935
-----------	-----------	------------	--------------------	---------

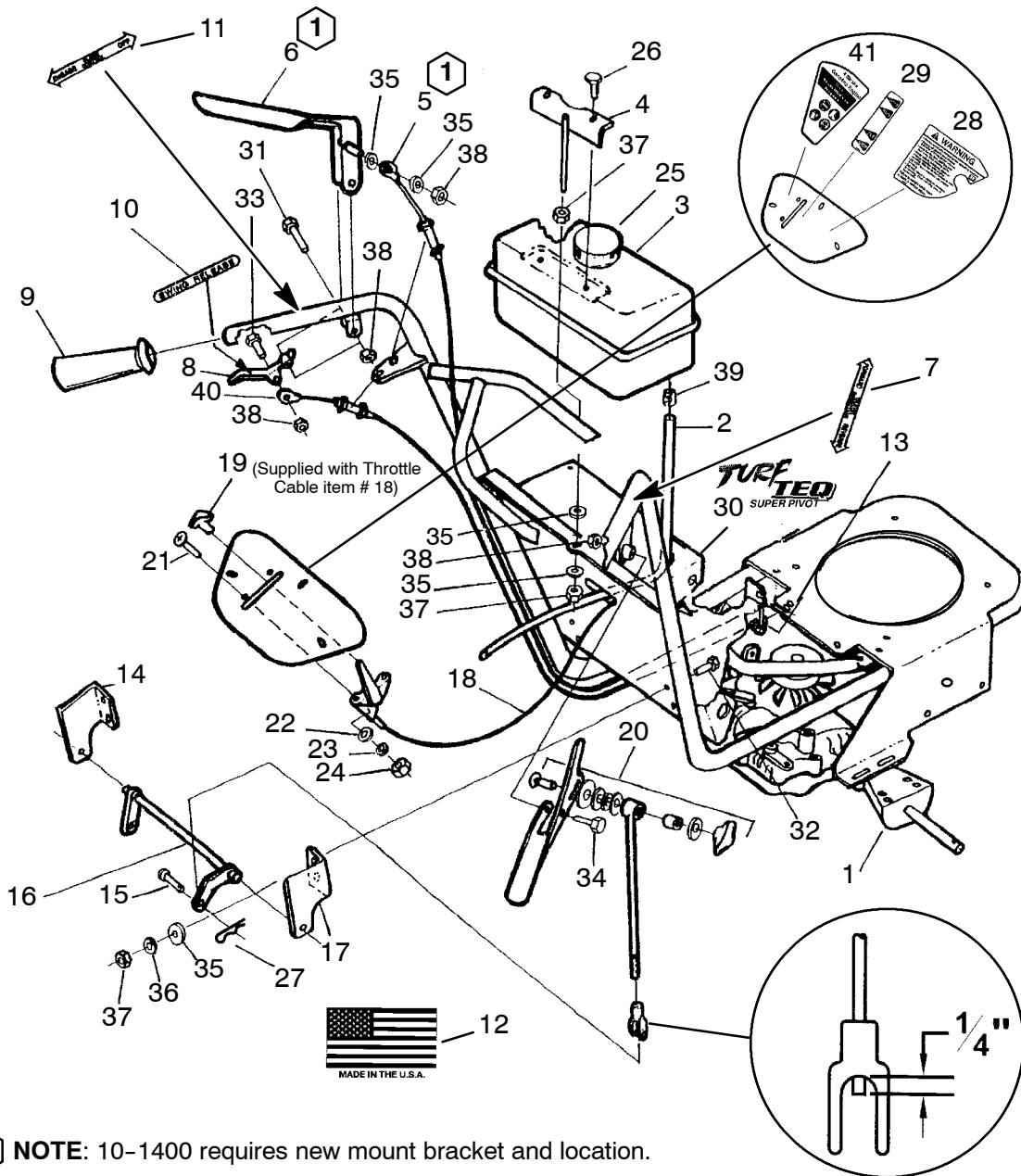


- 1 Apply Loctite 271 Thread Locker
- 2 "If needed" install #14 washer (as many as required after #5 v-belt has been installed and tightened.)
- 3 Tighten #18 carr. bolt after #5 v-belt has been installed and tightened.

19	2	NSS	Hex Bolt 5/16 x 2-1/4
18	1	NSS	Carriage Bolt 5/16 x 1
17	1	10-0818	Rear Trans. Support Bracket
16	1	10-1225	Lock Nut 5/16-18
15	12	NSS	Nut 5/16
14	26	10-1214	Washer 5/16 SAE
13	13	NSS	Lock Washer 5/16
12	4	NSS	Hex Bolt 5/16 x 3
11	1	NSS	Hex Bolt 5/16 x 2
10	1	NSS	Hex Bolt 5/16 x 1-1/2
9	2	NSS	Hex Bolt 5/16 x 1
8	2	10-1226	Bolt 5/6-24 x 3/4
7	1	10-1399	Clutch Link - If using Clutch Cable 10-1270 With a Spring
7	1	10-0247	Clutch Link - If NOT using Clutch Cable 10-1270 With a Spring
6	1	10-0667	Engine A
5	1	10-0902	V-Belt
4	1	10-0616	LH Stiffener
3	1	10-0352	RH Stiffener Tube
2	1	10-0191	Main Frame Handle Bar W/A
1	1	10-0935	K62 Transmission A
<i>Item</i>	<i>Qty.</i>	<i>Part #</i>	<i>Description</i>

**Note:** All hardware is Grade 5, plated and course thread unless otherwise specified.

Revisions	9/09 JRD	MODEL 1305	Tractor Frame/Trans A	TURF TEQ LLC	Date: 09-09
					<b>10-0939</b>



41	1	10-1415	Gasoline/PPE - Decal
40	1	10-1271	Tension Cable
39	1	10-1230	1/2 Screw Type Hose Clamp
38	4	10-1225	Lock Nut 5/16-18
37	6	NSS	Nut 5/16
36	4	NSS	Lock Washer 5/16
35	8	10-1214	Washer 5/16 SAE
34	1	NSS	Hex Bolt 5/16 x 1-3/4
33	1	NSS	Hex Bolt 5/16 x 1-1/4
32	4	NSS	Carr. Bolt 5/16 x 3/4
31	1	NSS	Hex Bolt 5/16 x 2
30	1	10-1185	Turf Teq Super Pivot Decal
29	1	10-0441	Washer - Choke/Run
28	1	10-0439	Decal - Operating Warning
27	1	10-1434	Hairpin Cotter 1/8 x 1-3/4
26	2	10-1229	Self Tapping Hex Screw 3/16 x 3/4
25	1	10-0729	Gas Cap
24	2	NSS	Nut #10
23	2	NSS	Lock Washer #10
22	2	NSS	Washer #10 SAE .21 x .5 x .04
21	2	NSS	Pan Head Machine Screw #10 x 3/4
20	1	10-0682	Hydro Handle Assembly
19	1	10-1227	Throttle Cable T-Handle
18	1	10-0135	Lever Control
17	1	10-0340	Hydro Pivot Bracket - RH
16	1	10-0855	Hydro Shaft W/A
15	1	10-0615	Clevis Pin - 5/16 x 1
14	1	10-0339	Hydro Pivot Bracket - LH
13	2	10-1111	E-clip (1/4 shaft)
12	1	10-1376	Decal - ("Made in the USA")
11	1	10-0446	Decal - Blade Control
10	1	10-0444	Decal - Swing Release
9	2	10-0190	1" Handle Grip
8	1	10-0253	Trigger W/A
7	1	10-0448	Decal - Travel Direction
6	1	10-1400	Clutch Handle W/A - If using Clutch Cable 10-1270 With a Spring
6	1	10-0257	Clutch Handle W/A - If NOT using Clutch Cable 10-1270 With a Spring
5	1	10-1270	Clutch Cable With Spring - If You Are Using Clutch Handle 10-1400
5	1	10-1271	Tension Cable - If NOT using Clutch Cable 10-1270 With a Spring
4	1	10-0395	Gas Tank Hold Down W/A
3	1	10-0264	Fuel Tank A
2	1	10-0452	Super-Flex Fuel Line
1	1	10-0939	Tractor Frame/Trans. A
Item	Qty.	Part #	Description

<b>TURF TEQ LLC</b>			Date:12-09
<b>Revisions</b>			<b>10-0940</b>

**1** NOTE: 10-1400 requires new mount bracket and location.


**Note:** All hardware is Grade 5, plated and course thread unless otherwise specified.

Revisions	12/09JRD	MODEL 1305	Tractor Controls A	
-----------	----------	------------	--------------------	--

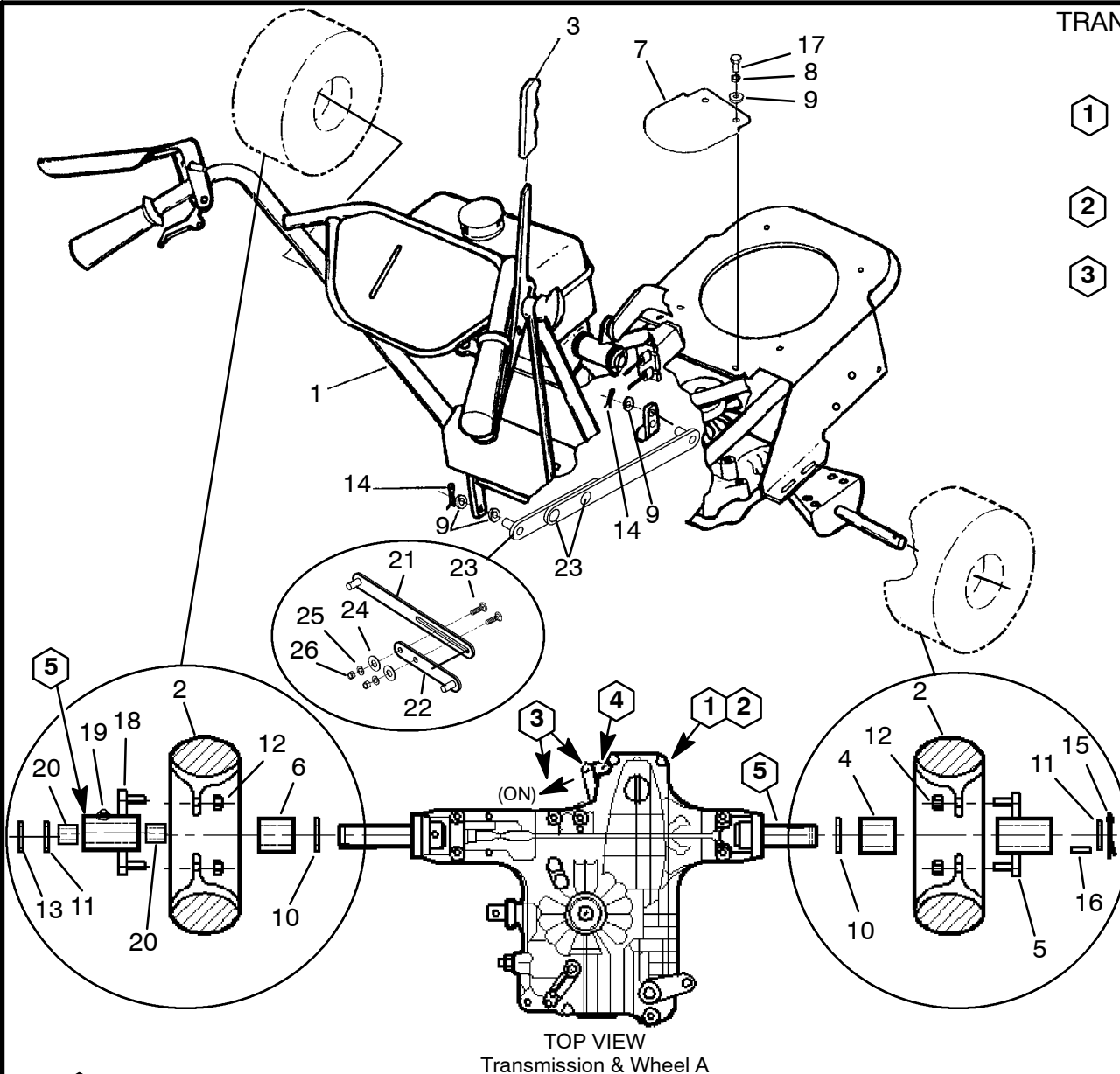


**TRANSMISSION CONFIGURATION FOR 1305SP,  
1305SP1 & 1305SP2 POWER EDGER**

**DIFF-LOC ARM POSITIONING**

- 1 Remove spring & spring mounting bracket from transmission. Reinstall hardware with a additional 5/16 washer.
- 2 Bend spring mounting bracket from 90° to 108°. 
- 3 Pivot diff-loc control arm completely out (as shown) then reinstall spring mounting bracket at position 4 to hold diff-loc arm out in the "ON" position.

**NOTE:** Transmission axle may have to rotate a little for diff-loc to snap into the on position.



TOP VIEW  
Transmission & Wheel A

5 Apply Anti-Seize Lubricant.

**Notes:** Does Not Include Diff-Loc or Wheel-Loc Kits. All hardware is Grade 5, plated and course thread unless otherwise specified.

26	2	NSS	1/4 Nut
25	2	NSS	1/4 Lock Washer
24	2	NSS	1/4 Flat Washer
23	2	NSS	1/4 x 3/4 Carriage Bolt
22	1	10-1407	Clamp Bar W/A
21	1	10-1406	Slide Adjustment Bar W/A
20	2	10-0104	Bronze Bushing
19	1	10-1120	Grease Fitting
18	1	10-1097	Wheel Hub (Bushing)
17	2	NSS	Hex Bolt 5/16 x 3/4
16	2	10-1116	Key 1/4 x 1.25
15	1	10-1222	1/8 x 1-3/4 Cotter Pin
14	2	10-1210	3/32 x 3/4 Cotter Pin
13	1	10-1113	E-Clip
12	8	10-1219	1/2-20 Lug Nut
11	2	10-1110	Washer 1 Machine
10	2	10-1217	1" SAE Washer
9	5	10-1214	5/16 SAE Washer
8	2	NSS	Lock Washer 5/16
7	1	10-0848	Trans Shield
6	1	10-0892	Spacer (2.75 Length)
5	1	10-0847	Wheel Hub
4	1	10-0875	Spacer
3	1	10-0474	Handle Grip
2	2	10-0846	Tire & Rim A
1	1	10-0940	Tractor Controls A
Item	Qty.	Part #	Description

**TURF TEQ LLC**

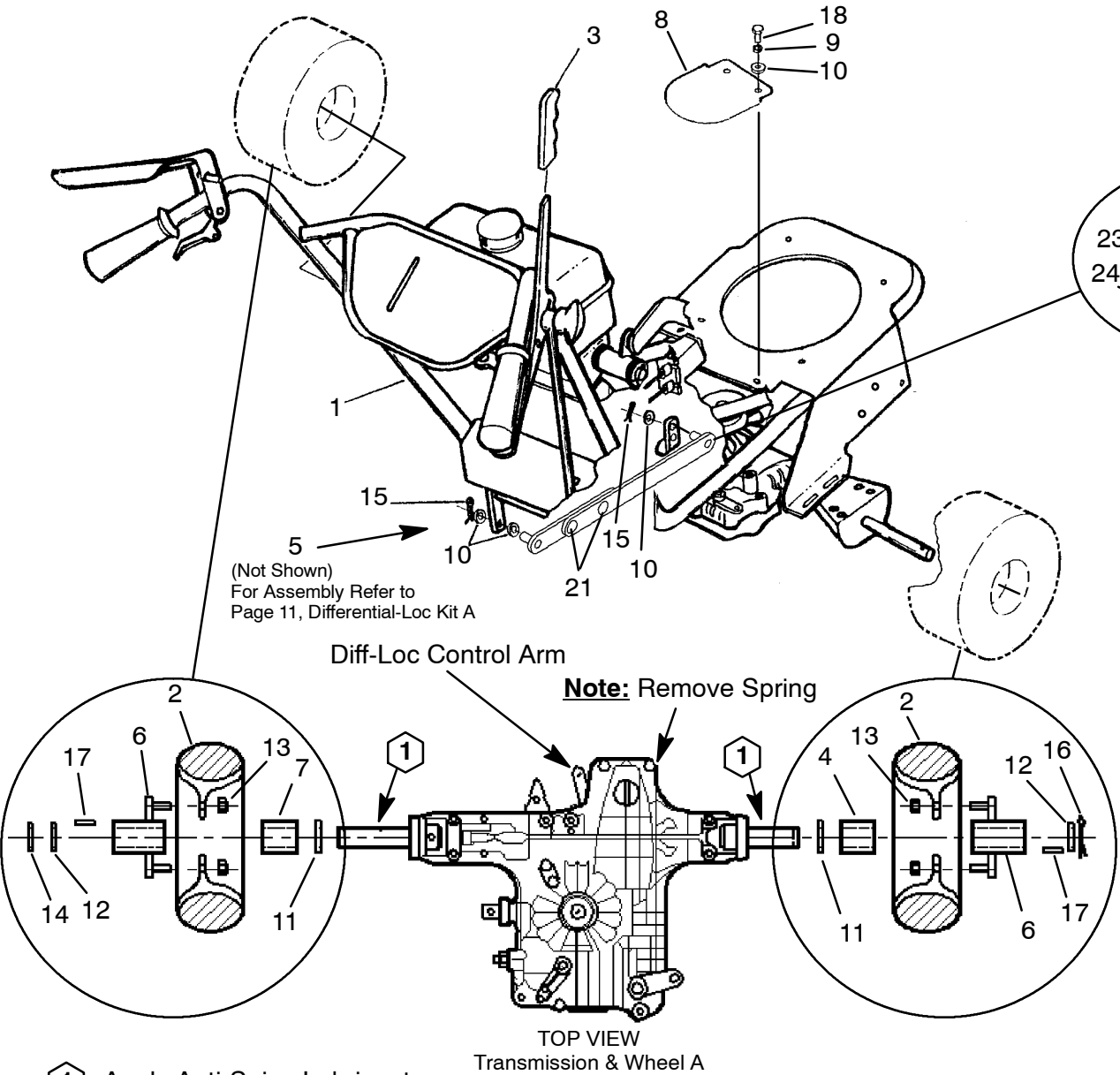
Date: 12-09

Revisions 12/09 JRD

MODEL 1305

Tractor Only A

TRANSMISSION CONFIGURATION FOR  
 1305BR & 1305BR1 POWER BROOMS,  
 1305PR & 1305PR1 POWER RAKES &  
 1305BC BRUSH CUTTER



(Not Shown)  
 For Assembly Refer to  
 Page 11, Differential-Loc Kit A

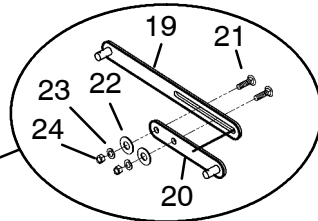
Diff-Loc Control Arm

**Note:** Remove Spring

TOP VIEW  
 Transmission & Wheel A

1 Apply Anti-Seize Lubricant.

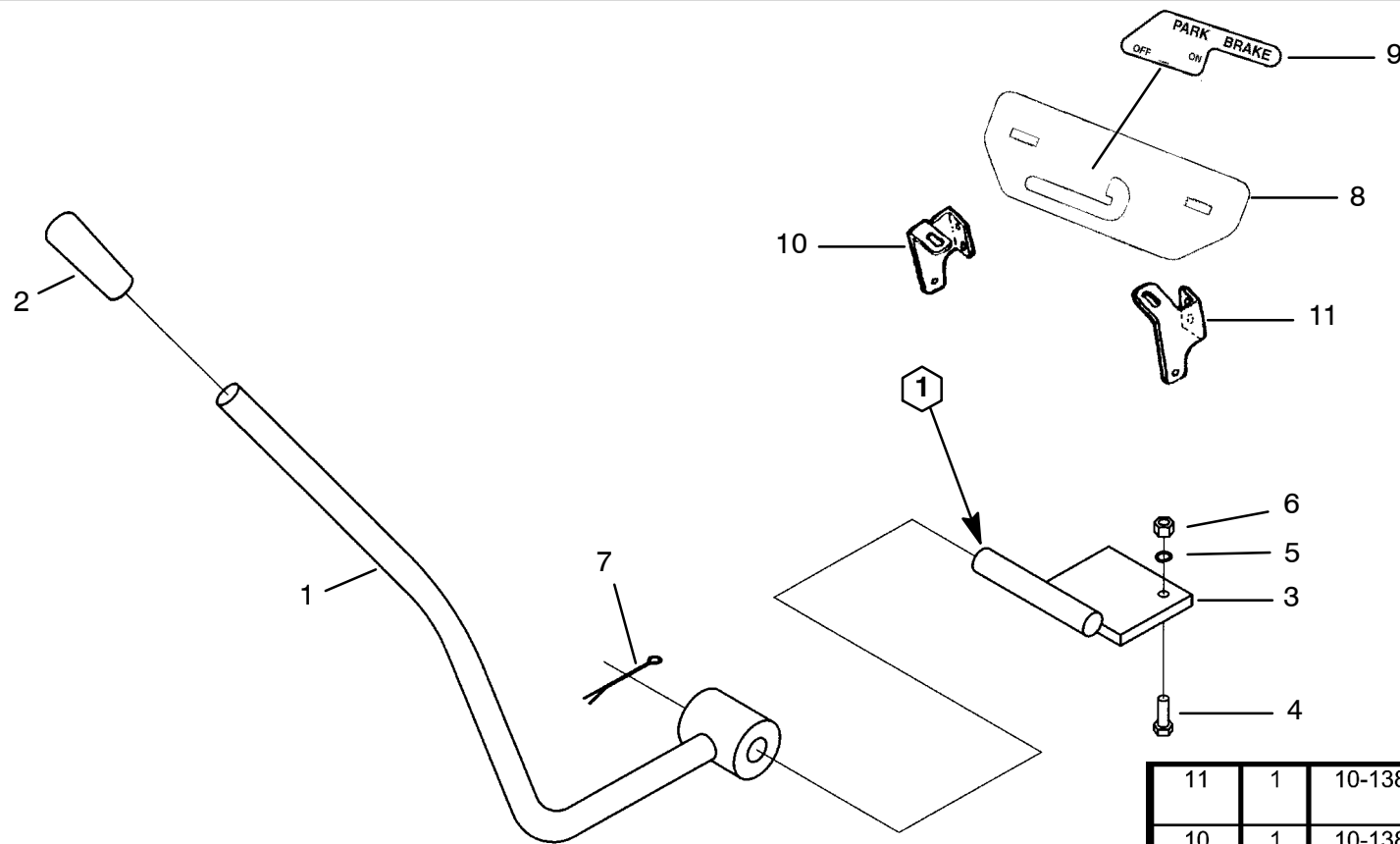
**Notes:** Includes Diff-Loc Kit. Does Not Include Wheel-Loc Kit.  
 All hardware is Grade 5, plated and course thread unless otherwise specified.



24	2	NSS	1/4 Nut
23	2	NSS	1/4 Lock Washer
22	2	NSS	1/4 Flat Washer
21	2	NSS	1/4 x 3/4 Carriage Bolt
20	1	10-1407	Clamp Bar W/A
19	1	10-1406	Slide Adjustment Bar W/A
18	2	NSS	Hex Bolt 5/16 x 3/4
17	2	10-1116	Key 1/4 x 1.25
16	1	10-1222	1/8 x 1-3/4 Cotter Pin
15	2	10-1210	3/32 x 3/4 Cotter Pin
14	1	10-1113	E-Clip
13	8	10-1219	1/2-20 Lug Nut
12	2	10-1110	Washer 1 Machine
11	2	10-1217	1" SAE Washer
10	5	10-1214	5/16 SAE Washer
9	2	NSS	Lock Washer 5/16
8	1	10-0848	Trans Shield
7	1	10-0892	Spacer (2.75 Length)
6	2	10-0847	Wheel Hub
5	1	10-0937	K1305DL Diff-Loc Kit
4	1	10-0875	Spacer
3	1	10-0474	Handle Grip
2	2	10-0846	Tire & Rim A
1	1	10-0940	Tractor Controls A
Item	Qty.	Part #	Description

TURF TEQ LLC Date: 12-09

Revisions	12/09 JRD	MODEL 1305	Tractor with Diff-Loc A
-----------	-----------	------------	-------------------------



**Optional Equipment**

① Apply Anti-Seize Lubricant.

**Note:** All hardware is Grade 5, plated and course thread unless otherwise specified.

11	1	10-1386	RH Hydro Pivot Bracket (For Park Brake Kit)
10	1	10-1385	LH Hydro Pivot Bracket (For Park Brake Kit)
9	1	10-0888	Decal - Park Brake
8	1	10-0803	Park Brake Plate
7	1	10-1210	3/32 x 3/4 Cotter Pin
6	1	NSS	Nut 3/8
5	1	NSS	Lock Washer 3/8
4	1	NSS	Hex Bolt 3/8 x 1
3	1	10-0760	Park Brake Base W/A
2	1	10-0332	Handle Grip
1	1	10-0758	Park Brake Handle W/A
Item	Qty.	Part #	Description

**TURF TEQ LLC**

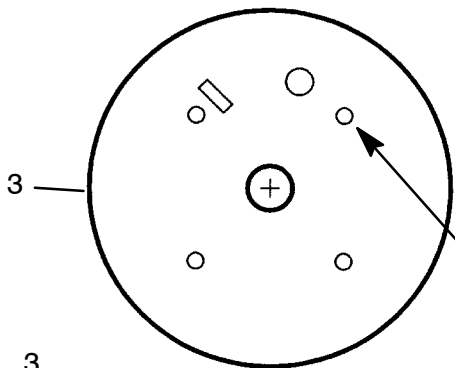
Date: 09-09

Revisions 9/09 JRD

MODEL 1305

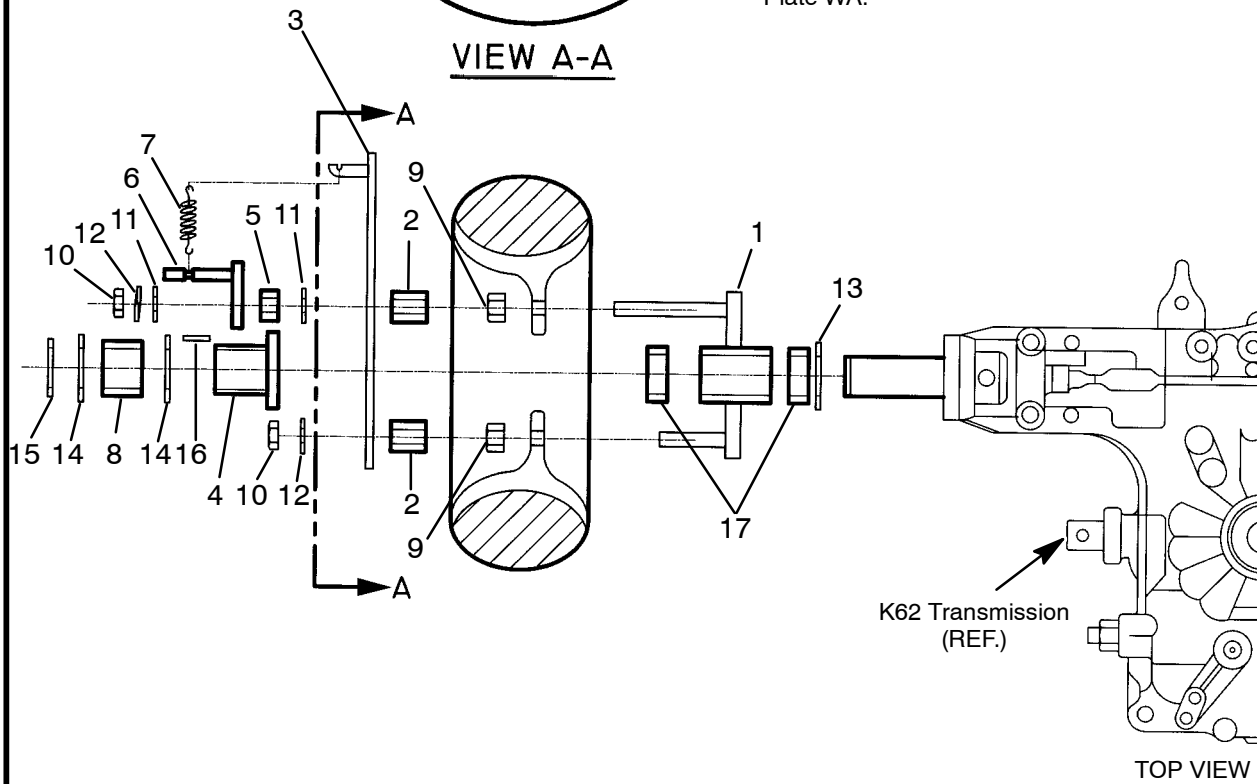
**Park Brake Kit A**

**K1305PB/10-0934**



**NOTE:** The longest threaded rod on Item #1 Wheel-Loc Hub, goes through this hole on Item #3 Plate WA.

**VIEW A-A**



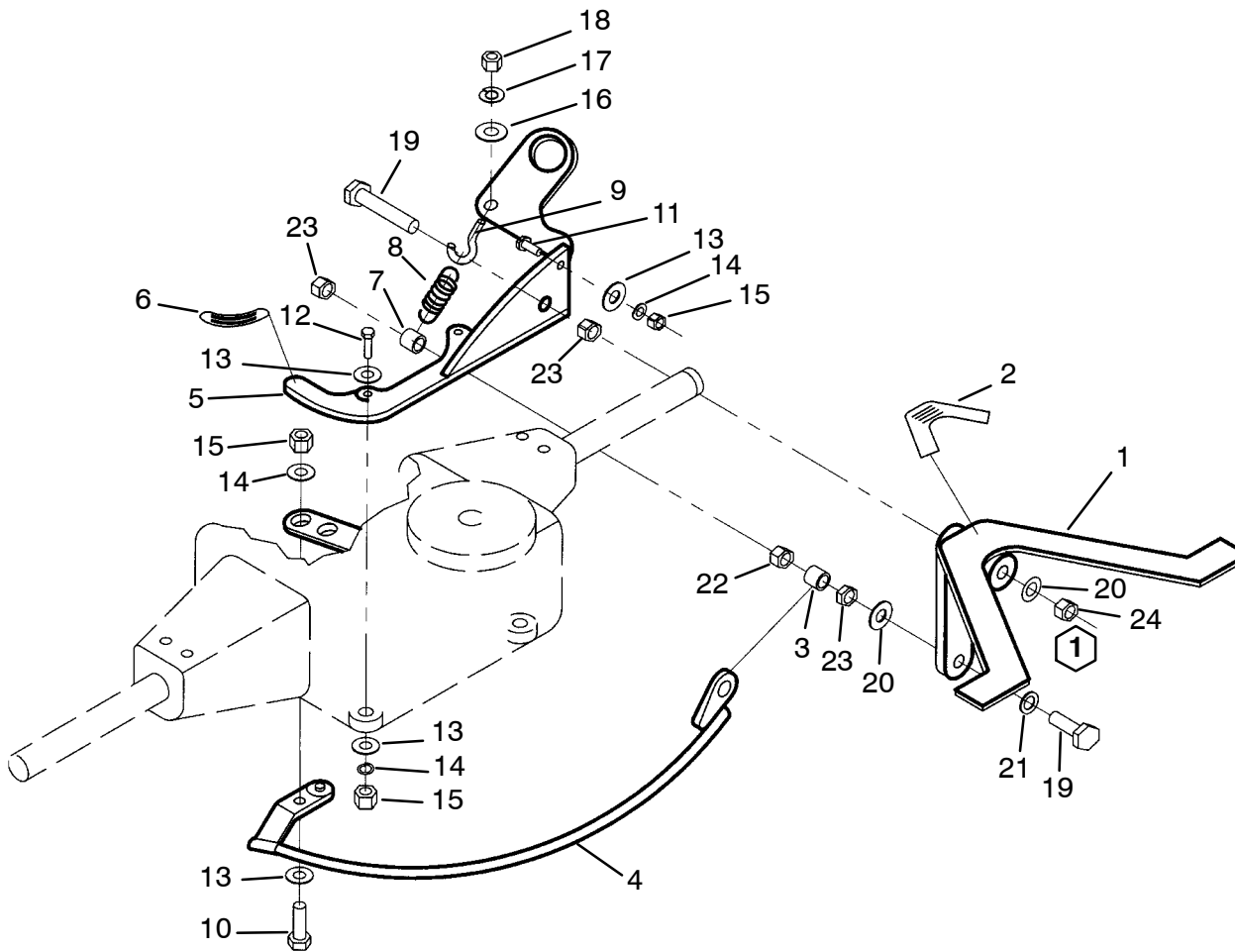
**Optional Equipment**

**TOP VIEW**

17	2	10-0104	Bushing 1 x 1.25 x 1
16	1	10-1116	Key 1/4 x 1.25
15	1	10-1113	E-Clip 1"
14	2	10-1110	Washer 1" Machine 1 x 1.5 x .07
13	1	10-1217	Washer 1 SAE
12	4	NSS	Lock Washer 1/2
11	2	10-1106	Washer 1/2 Machine 1/2 x 7/8 x .07
10	4	10-1218	Jam Nut 1/2" Fine Thread
9	4	10-1219	Lug Nut 1/2" Fine Thread
8	1	10-0875	Spacer
7	1	10-0877	Spring C-137
6	1	10-0879	Engagement WA
5	1	10-0843	Spacer
4	1	10-0871	Wheel Engagement Hub WA
3	1	10-0921	Plate WA
2	4	10-0876	Spacer
1	1	10-0874	Wheel-Loc Hub
<i>Item</i>	<i>Qty.</i>	<i>Part #</i>	<i>Description</i>

**Note:** All hardware is Grade 5, plated and course thread unless otherwise specified.

<b>TURF TEQ LLC</b>		Date: 07-07
Revisions	7/07 JRD	MODEL 1305
<b>Wheel-Loc Kit A</b>		<b>K1305WL/10-0936</b>



**Note:** Items 5, 6, 11, 12, 13, 14, and 15 are standard on all machines and are not part of the optional kit.

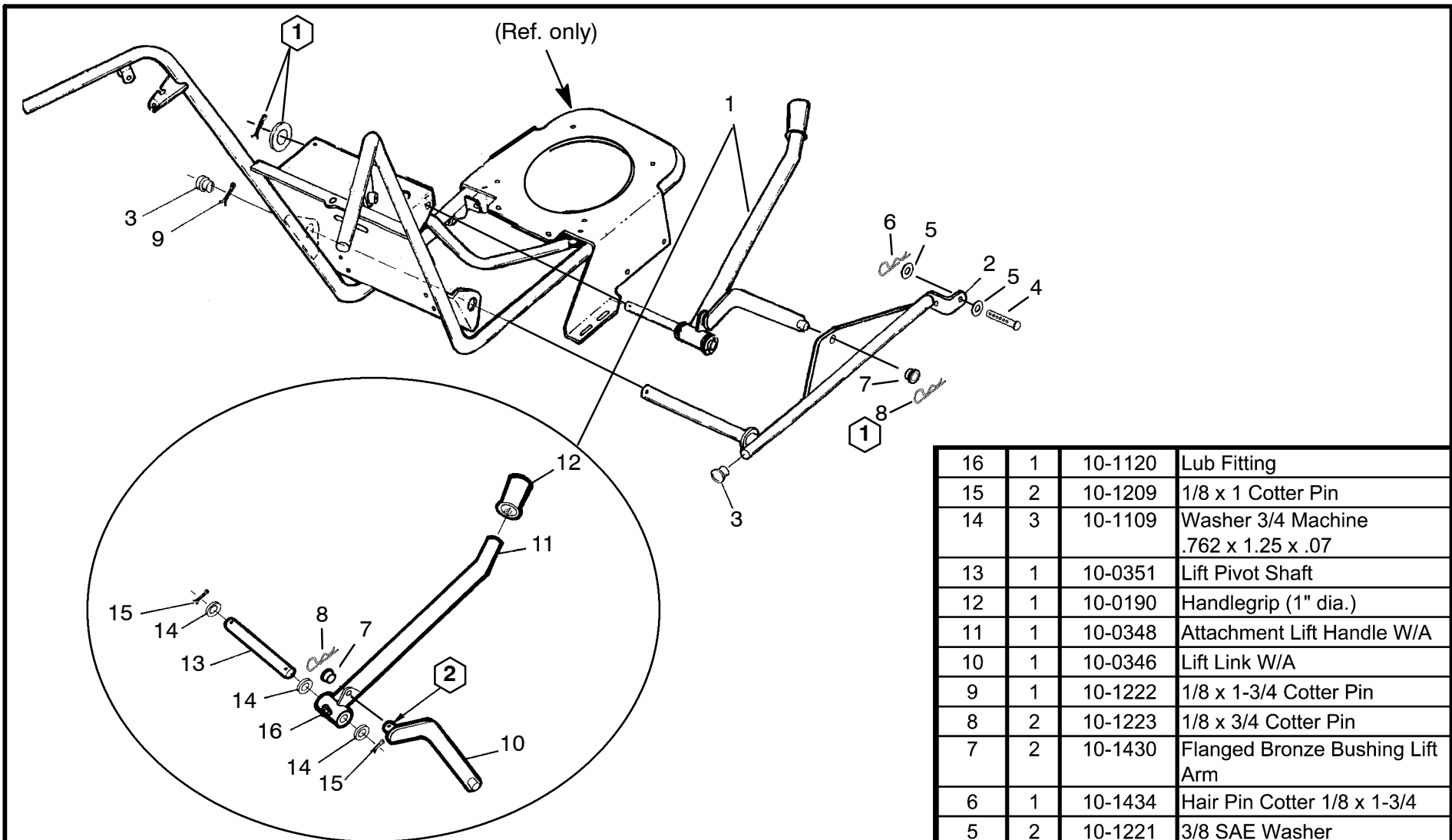
24	1	10-1220	Lock Nut 1/2
23	3	10-1204	Jam Nut 1/2
22	1	NSS	Nut 1/2
21	1	NSS	Lock Washer 1/2
20	2	10-1106	Washer 1/2 Machine 1/2 x 7/8 x .07
19	2	NSS	Hex Tap Bolt 1/2 x 3
18	1	NSS	Nut 3/8
17	1	NSS	Lock Washer 3/8
16	1	10-1221	Washer 3/8 SAE
15	4	NSS	Nut 5/16
14	5	NSS	Lock Washer 5/16
13	5	10-1214	Washer 5/16 SAE
12	2	NSS	Hex Bolt 5/16 x 2.25
11	1	NSS	Carr Bolt 5/16 x 1
10	1	NSS	Hex Bolt 5/16 x 1
9	1	10-0757	Eyebolt 3/8 x 4
8	1	10-0756	Spring
7	1	10-0843	Spacer
6	1	10-0884	Decal
5	1	10-0818	Mount WA
4	1	10-0867	Arm WA
3	1	10-0883	Bushing
2	1	10-0885	Decal
1	1	10-0817	Arm WA
<i>Item</i>	<i>Qty.</i>	<i>Part #</i>	<i>Description</i>

1 Install nut so there is 1/16" gap between 20 and 24.

### Optional Equipment

**Note:** All hardware is Grade 5, plated and course thread unless otherwise specified.

TURF TEQ LLC		Date:12-07
Revisions	12/07 JRD	MODEL 1305
Differential-Loc Kit A		K1305DL/10-0937



- 2** Apply Anti-Seize Lubricant.
- 1** Supplied With Lift Arm (Item #1).

16	1	10-1120	Lub Fitting
15	2	10-1209	1/8 x 1 Cotter Pin
14	3	10-1109	Washer 3/4 Machine .762 x 1.25 x .07
13	1	10-0351	Lift Pivot Shaft
12	1	10-0190	Handlegrip (1" dia.)
11	1	10-0348	Attachment Lift Handle W/A
10	1	10-0346	Lift Link W/A
9	1	10-1222	1/8 x 1-3/4 Cotter Pin
8	2	10-1223	1/8 x 3/4 Cotter Pin
7	2	10-1430	Flanged Bronze Bushing Lift Arm
6	1	10-1434	Hair Pin Cotter 1/8 x 1-3/4
5	2	10-1221	3/8 SAE Washer
4	1	10-1441	3/8 x 2 Clevis Pin
3	2	10-0354	End Plug
2	1	10-0341	Attachment Lift Arm W/A
1	1	10-0680	Lift Arm A
<i>Item</i>	<i>Qty.</i>	<i>Part #</i>	<i>Description</i>

**Note:** All hardware is Grade 5, plated and course thread unless otherwise specified.

<b>TURF TEQ LLC</b>		Date: 12-09
Revisions	12/09 JRD	MODEL 1305
<b>Broom/Edger Lift Kit A</b>		<b>K1305LK/10-0938</b>