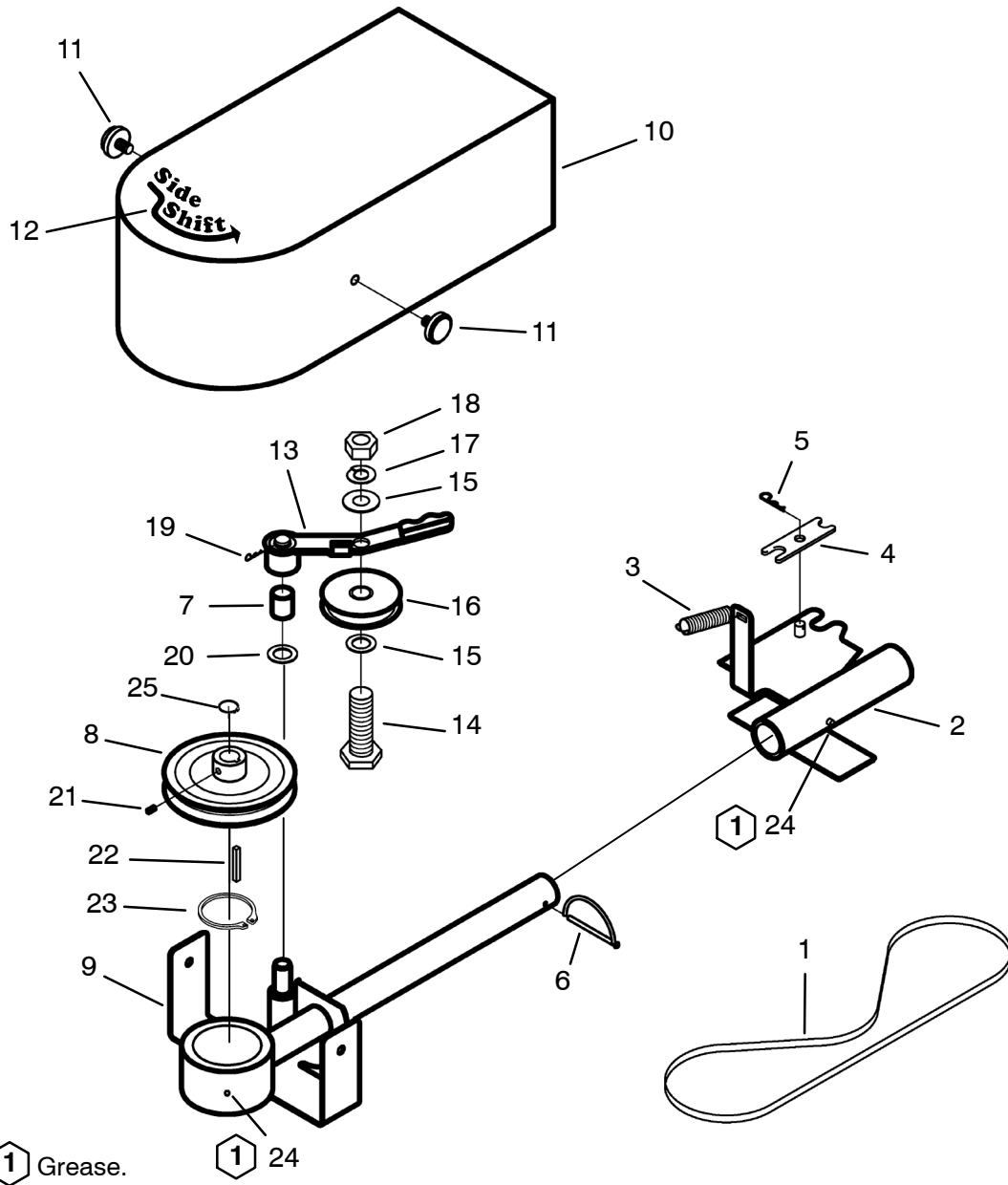




**BRUSH CUTTER  
ATTACHMENT  
PARTS CATALOG  
MODEL A1305C**

# Contents

<u>Description</u>	<u>Page Number</u>
Belt Drive System A .....	1
Brush Cutter Mower Deck A .....	2



① Grease.

① 24

**Note:** All hardware is Grade 5, plated and course thread unless otherwise specified.

25	1	10-1321	Mower Shaft Retaining Ring
24	2	10-0681	Lube Fitting
23	1	10-1325	Mower Pivot Retaining Ring
22	1	10-1437	Keyway - 3/16 x 1
21	1	10-1236	Set Screw 5/16-18 x 3/8
20	1	10-1108	Washer Machine 5/8
19	1	10-1316	Cotter Pin - Mower Idler Arm
18	1	NSS	Nut 5/8
17	1	NSS	Lock Washer 5/8
16	1	10-0501	Flat Idler 3.75 dia
15	2	10-1224	Washer 5/8 SAE
14	1	10-1435	Machined Bolt 5/8 x 2
13	1	10-1310	Mower Idler Arm W/A
12	1	10-1356	"Side Shift" Decal
11	2	10-0618	Shield Knob
10	1	10-1333	Mower Belt Cover W/A
9	1	10-1304	Mower Pivot/Sector Mount W/A
8	1	10-1323	BK-52 Sheave 3/4" Bore
7	1	BR-0058	Bronze Bushing
6	1	10-1354	Brush Cutter Snap Pin
5	1	10-1434	Hair Pin - Cotter 1/8 x 1-3/4
4	1	10-1378	Sector Bolt H Plate
3	1	10-1326	Mower Extension Spring
2	1	10-1301	Swivel Bracket
1	1	10-1324	B-52 V-Belt
Item	Qty.	Part #	Description

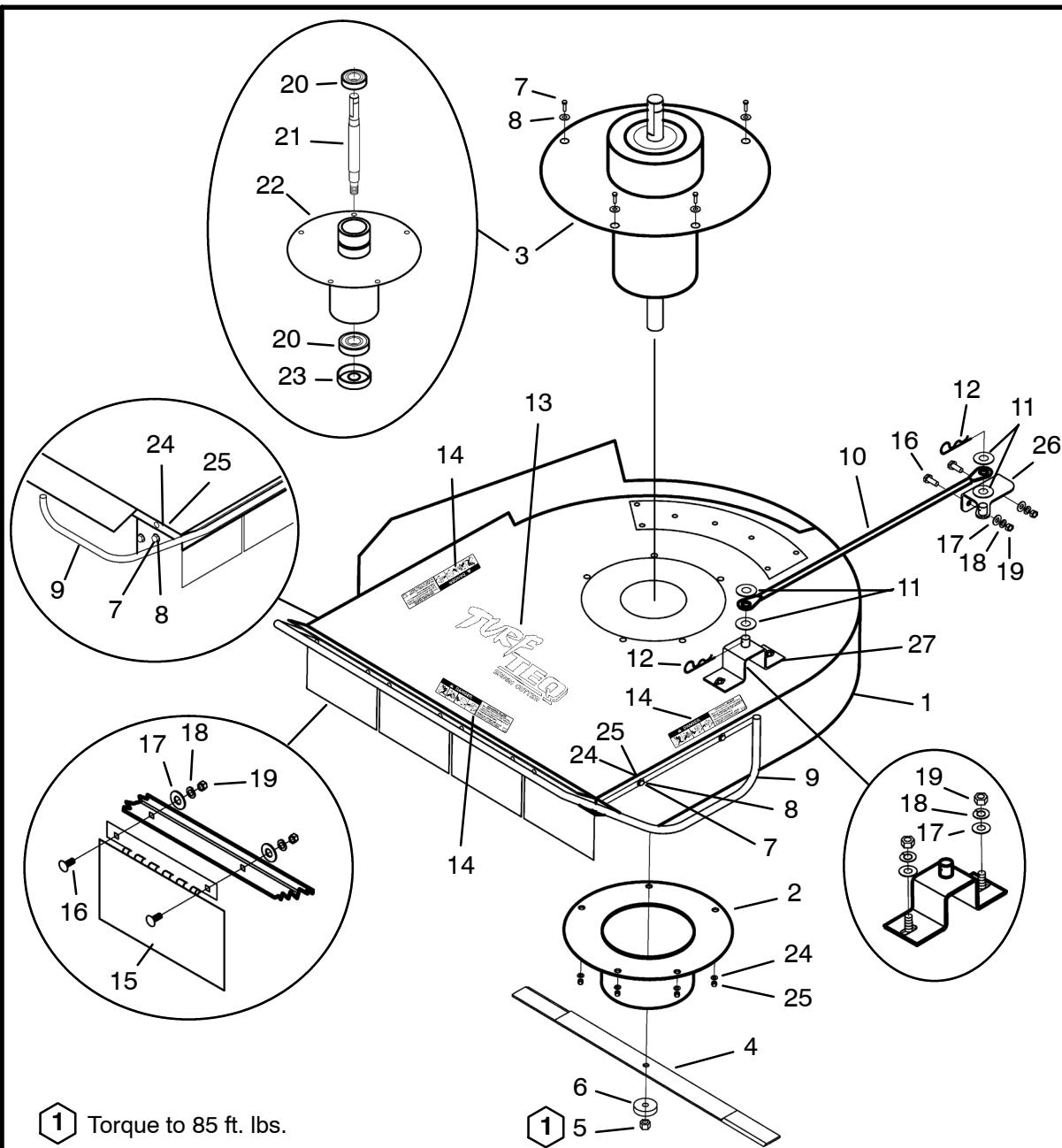
TURF TEQ LLC

Date:11-09

Revisions 11/09 JRD

MODEL 1305BC

Belt Drive System A



27	1	10-1357	Pivot Link Bracket W/A-Mower
26	1	10-1358	Pivot Link Bracket W/A-Tractor
25	18	NSS	Nut 3/8
24	18	NSS	Lock Washer 3/8
23	1	10-1318	Bearing Cover - Mower
22	1	10-1313	Mower Spindle Housing W/A
21	1	10-1317	Mower Blade Shaft
20	2	10-1319	Ball Bearing 6304 ZZ
19	12	NSS	Nut 5/16
18	12	NSS	Lock Washer 5/16
17	12	NSS	Washer 5/16
16	10	NSS	Carriage Bolt 5/16x3/4
15	4	10-1361	Mower Deck Flap
14	3	10-0438	Warning for Moving Parts Decal
13	1	10-1355	"Turf Teq Brush Cutter" Decal
12	2	10-1434	Hair Pin - Cotter 1/8 x 1-3/4
11	4	10-1207	Washer 1/2 SAE
10	1	10-1330	Mower Swivel Link W/A
9	1	10-1359	Mower Push Bar W/A
8	23	10-1221	Washer 3/8 SAE
7	23	NSS	Bolt 3/8 x 1
6	1	10-1322	Mower Blade Washer
5	1	NSS	Nut 5/8
4	1	10-1320	26" Mower Blade
3	1	10-1436	Spindle Housing Assembly
2	1	10-1327	Mower Debris Shield W/A
1	1	10-1360	Mower Deck W/A
<i>Item</i>	<i>Qty.</i>	<i>Part #</i>	<i>Description</i>

**1** Torque to 85 ft. lbs.

**Note:** All hardware is Grade 5, plated and course thread unless otherwise specified.

**TURF TEQ LLC**

Date:11-09

Revisions 11/09 JRD

MODEL 1305BC

**Brush Cutter Mower Deck A**